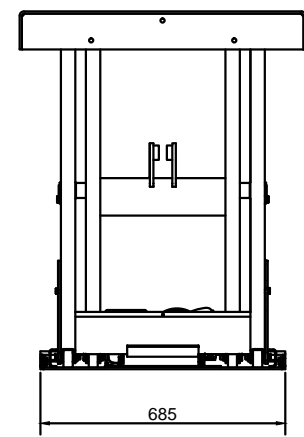
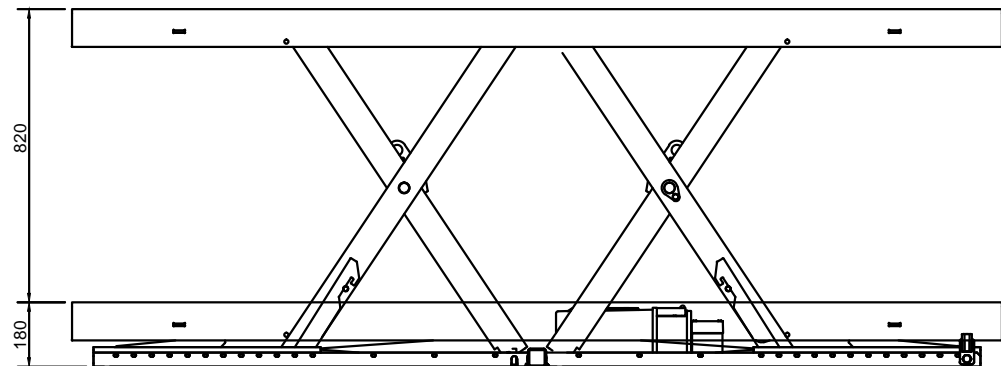



This document must not be copied without our permission. All rights reserved. This document must not be imitated to a third party, nor be used for any unauthorized purpose. Contravention will be prosecuted.



TLH 2000 2600x800		Drawn	LEIJO	Date	2010-06-30
Dimension sketch		Scale	1:10	Est. weight	N/A
		Documentation	Konstruktionsritning		
 <small>www.edmolift.se</small>	General tolerances for dimensions without indication according to	System	Inventor	Drawing no.	Revision
	ISO 2768-m	Sheet size	A2	34964	-