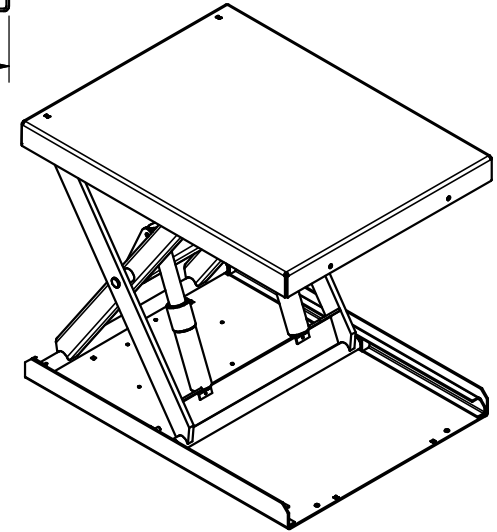
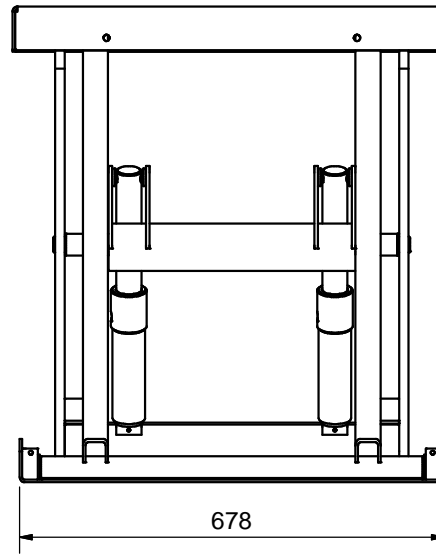
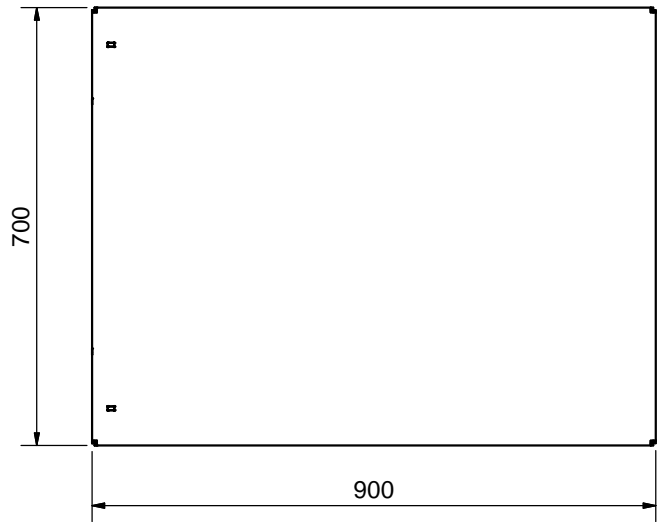
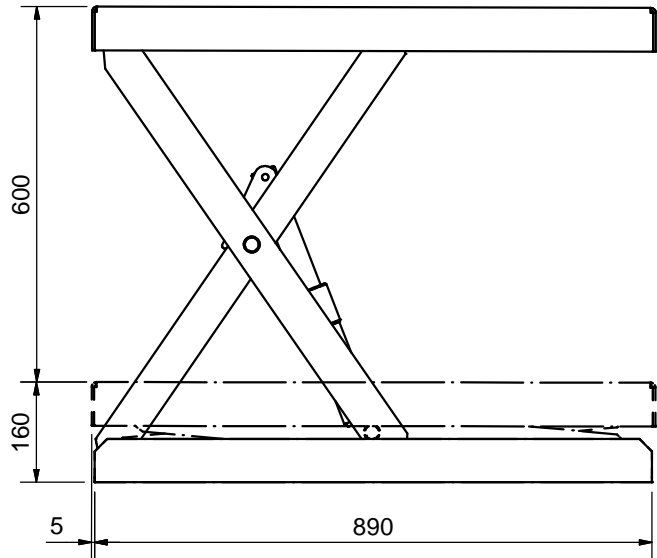



This document must not be copied without our written permission, and the contents thereof must not be imparted to a third party nor be used for any unauthorized purpose. Contravention will be prosecuted.



| | | | |
|---------------------------------------------------------------------------------------|--|---------------------------------------|-----------------------------|
| Lyftbord Sammanställning CR 1000 | | Drawn HANVI | Date 2015-11-05 |
| | | Scale 1:8 | Est. weight 105,9 kg |
| | | Document kind Konstruktionsritning | |
|  | | System Inventor | Drawing no 515215 |
| General tolerances for dimensions without indication according to ISO 2768-m | | Sheet size A3 | Revision - |